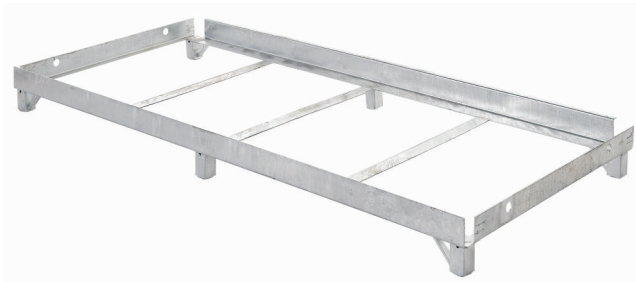


Transport pallets and grid boxes

A transport pallet, usually called short pallet, is a flat structure which is used for the transport of many stackable goods.
The loaded pallet can be loaded with a material handling device (e.g. lift trucks or forklifts).



Transport pallet for barriers

Dimension: 2120 x 940 mm

On this pallet up to 48 pieces can be stacked and transported horizontally

Dimension 2113 x 1005 mm

The pallet is prepared for straps and steel belts for transport

hot dip galvanized

Empty transport height 80 mm



Transport pallet packed with 30 barriers

Grid boxes packed with cable bridges and stacked on one another

A grid box or grid box pallet, short Gibo, is composed of a steel frame grid construction of loading aids in conveying technology.

Four feet enable the reception of the grid box with a forklift from all four sides.

For stacking the boxes the positioning angle towers are mounted.



Grid boxes

Dimensions External dimensions

120 x 100 x 80 cm

100 x 80 x 75 cm

100 x 80 x 55 cm

- galvanized

- For better loading and unloading, the front of the grid box can be opened half and whole

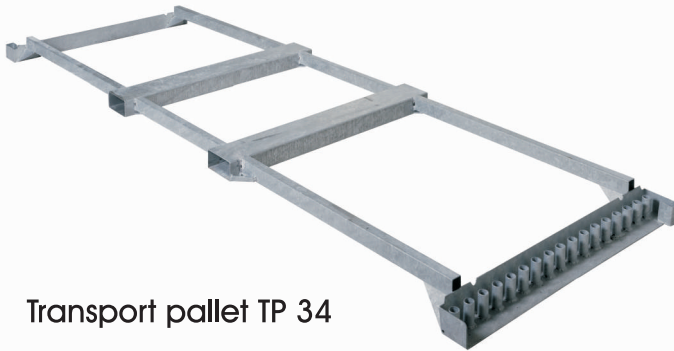
- Together collapsible

- stackable

Transport pallets for construction fences

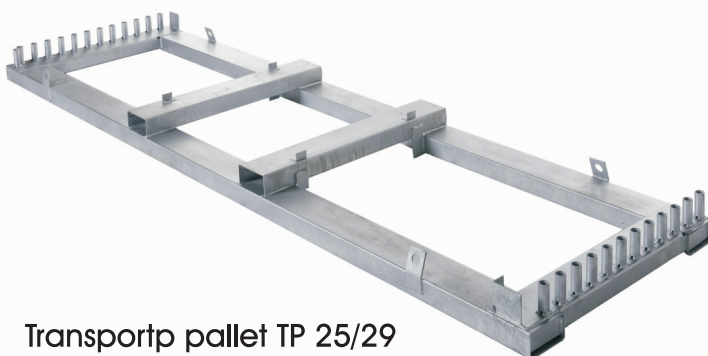
Transport pallets for construction fences

Transport pallets for construction fences, easy storage of fence elements.
Ideal for operator and construction rental. Transport with forklift or crane.
For safe, gentle material storage and transport of 25 / 29 and 34 fence elements.



Transport pallet TP 34

Transport pallet TP 34 only for construction fences for 34 construction fences
Length 3,44 - 3,50 m
Pallet dimensions: L 3,53 x W 1,14 m
Longitudinal tubes 28 mm,
stanchion tubes 42 mm
Empty weight: about 95 kg
Weight with max loads 0,75 to
Fork length transverse riding 1,20 m
hot-dip galvanized
illustrated operating instructions



Transportpallet TP 25/29

Transport pallet TP 25 / 29 only for construction fences
TP 25 for 25 construction fences
TP 29 for 29 construction fences
Pallet length 3,44 to 3,50 m
Pallet dimensions: L 3,53 x W 1,05 m
Longitudinal tubes 44 mm,
stanchion tubes 44 mm
Empty weight about 100 / 110 kg
Weight with max loads. 0,80/1,0 to
Fork length transverse riding 1,20 m
hot-dip galvanized